

NOTES :

1. MATERIAL :

1.1 HOUSING:LCP UL94 V-0, BLACK COLOR.

1.2 SHELL: STAINLESS STEEL

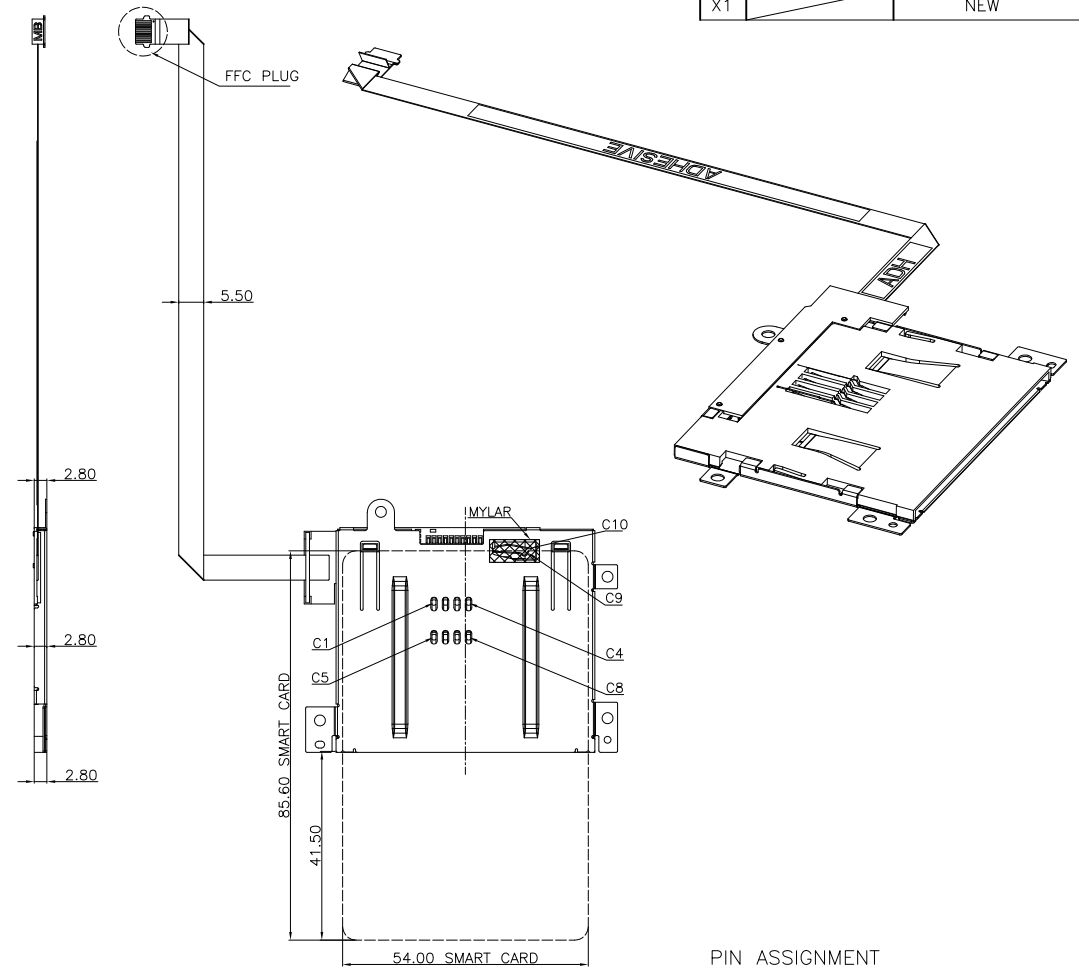
1.3 CONTACT: COPPER ALLOY

2. FINISH :

2.1 CONTACT: GOLD PLATING ON CONTACT AREA,
GOLD FLASH ON SOLDERTAIL AREA.
50u" MIN NICKEL PLATING OVERALL.

PART. NO. :
SM41-AN101-**

08: 功能区镀金1U", 锡脚Gold Flash
09: 功能区镀金3U", 锡脚Gold Flash
10: 功能区镀金5U", 锡脚Gold Flash
11: 功能区镀金15U", 锡脚Gold Flash
12: 功能区镀金30U", 锡脚Gold Flash



PIN ASSIGNMENT

FFC PIN.	ASSIGN	Smart Card PIN.
1	+SC_VCC	C1
2	SC_RST	C2
3	GND	C5
4	SC_CLK	C3
5	GND	
	NC	C6
6	SC_I/O	C7
7	SC_RFV	C4
8	SC_RFV	C8
9	SC_DET	C9
10	SC_DET	C10

CAPACITOR CONTACT RELATION

Smart Card PIN.	DEFINITION	SPEC
C1 + C5	+SC_VCC + GND	C=0.22uF 0402
C2 + C5	SC_RST + GND	C=22pF 0402
C3 + C5	SC_CLK + GND	C=22pF 0402
C7 + C5	SC_I/O + GND	C=22pF 0402

GENERAL TOLERANCE	TOLERANCE	DWG.NO.	SM41-AN101-00	PART.NO.	SM41-AN101-**	DRAWN	Jason 2023.03.28	UNIT	mm	SCALE	1:1
.x±0.50	x. °± 5°	REV.	X1	TITLE	Smart Card H2.80 With FFC Cable	CHECKED		东莞市欧联电子科技有限公司 DONGGUAN OLN ELECTRONICS TECHNOLOGY CO., LTD.			
.x±0.38	.x °± 2°	SIZE		SHEET	1/1	APPROVED					
.xx±0.25	.xx °± 1°	A4									